

Flexible Fiber Box (FFB) Series

Indoor/Outdoor Rapid and Fixed Demarc and Aggregation Boxes



Rapid FFB



Fixed FFB



Fixed FFB with Internal Demarc Door

TE Connectivity's (TE) Flexible Fiber Box (FFB) is designed to address the unique challenges of indoor, outside plant and fiber installations. Available in two unique base configurations, Fixed and Rapid, the FFB promotes true flexibility with easily interchangeable components for termination, sliding adapter pack, fixed bulkhead, splice, MPO and hardened multifiber optical connector (HMFOC) configurations.

The Rapid FFB system leverages TE's RapidReel fiber cable spool to payout fiber directly from the enclosure. By enabling faster cable routing and installation, the fiber cable spool helps to minimize overall labor costs. In addition, the spooling system reduces the need for site survey inspections, and simplifies cable ordering and inventory requirements. Any excess cable stores easily back on to the spooling system, eliminating the need for additional slack storage equipment.

The Fixed FFB system uses an assortment of fixed configuration plates to mix-and-match different cable and connector types. One half of the box manages feeder cable connections; the other half manages drop connections. To meet co-location requirements, the feeder side of the box is available with a lockable cover.

TE's Flexible Fiber Box Series incorporates the latest in cutting-edge technology, helps to deliver unmatched savings in installation time, labor costs, and offers unrivaled performance for next generation networks..

BENEFITS

- **Flexibility:** Designed to serve any network topology, any location, any technology.
- **Protection:** Built to withstand harsh environmental conditions - including dust, moisture and UV.
- **Right-Sized:** Enclosure meets space requirements for a variety of environments.
- **Performance:** Reduced bend radius fiber cable reduces attenuation caused by tight bends and frequent handling.
- **Easy Installation:** Mounts on a wall, pole or other flat surface with minimal tools.

Flexible Fiber Box (FFB) Series

Indoor/Outdoor Rapid and Fixed Demarc and Aggregation Boxes



Rapid FFB to Fixed FFB with MPO Connectors

FEATURES

- Available in 12- and 24-fiber counts
- Interchangeable drop and feeder side connectors
- RapidReel fiber cable spool pays-out cable directly from enclosure assembly
- MPO/HMFOC drop and feeder connector options
- Integrated splice tray option
- Accommodates 3 to 5mm indoor/outdoor cable
- Easy access to cable and connectors
- NEMA-4 rated enclosure
- Slotted foam grommets
- Aluminum welded construction
- Lightweight structure
- Lockable cover option available for Fixed FFB model
- Intuitive cable management and routing schemes

BENEFITS

- Designed for high density fiber counts in a small form factor box
- Flexible, interchangeable connector options serves a variety of network configurations, technologies and applications
- Patented internal spooling system facilitates faster cable installation, minimizes labor expenses, and simplifies cable ordering requirements
- Hardened multifiber connectors enable high density terminations and conserves equipment space
- Convenient, built-in trays available for splice management
- Flexibility to use a variety of cable types for indoor/outdoor applications
- Designed for easy technician access to cable and connectors for maintenance and service
- Protects optical components from wind, rain, and other contaminants
- Cable entry points can be easily sealed - enabling fast drop installs
- Heavy-duty exterior provides strength and resists corrosion
- Maneuverable, lightweight design ensures easy installation
- Flexible security options for co-locate scenarios
- Carefully designed cable paths and bend radius limiters help reduce bend induced attenuation

SPECIFICATIONS

Color:	Almond
Material Type:	Metallic Enclosure
Enclosure Dimensions:	10.5 H x 12 W x 5 D" (.26 x .3 x .12 m)
Maximum Feeder or Distribution Fibers:	24 (Dependent on Cable)
Splitter Capacity:	4
MPO Capacity:	3
HMFOC Connectors Capacity:	2
Cable Type:	3.6mm indoor/outdoor singlemode microcable (12 fibers per cable)
Operating Temperature:	Installation (-18°C to +50°C), Operating (-40°C to +65°C)
Enclosure Rating:	NEMA-4, UL

Flexible Fiber Box (FFB) Series

Indoor/Outdoor Rapid and Fixed Demarc and Aggregation Boxes

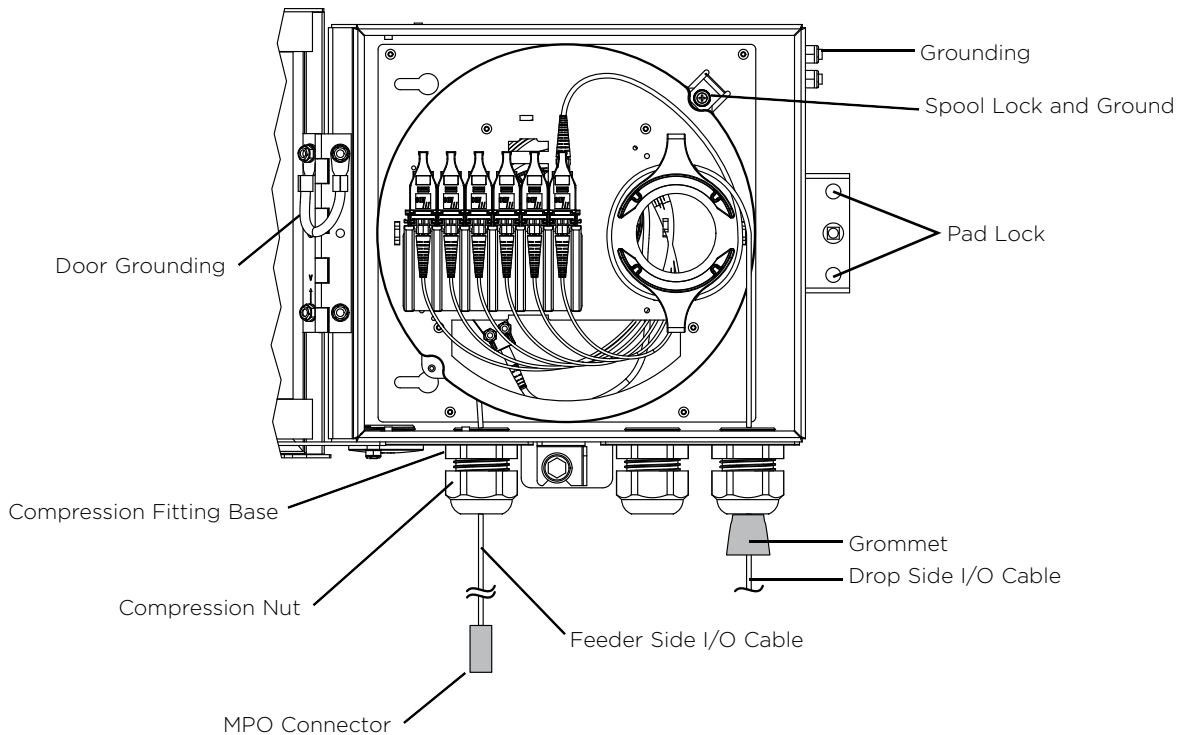
Rapid FFB

The Rapid FFB utilizes the RapidReel fiber cable spool to pay-out up to 250 feet of internal cable. The innovative spooling system eliminates the need for site survey inspections, simplifies cable ordering requirements, and speeds the installation of cabling networks.

FEATURES:

- 12-fiber unit with single indoor/outdoor cable; or 24-fiber unit with 2 indoor/outdoor cables
- Removable/interchangeable RapidReel fiber cable spool
- Available with LC, SC/UPC and SC/APC drop side connectors
- Available with sliding adapter pack terminations
- Available with integrated splice tray
- Singlemode operation
- 3.6mm stranded indoor/outdoor microcable
- Internal spool holds up to 250' of 12-fiber cable, or up to 100' of 24-fiber cable
- Additional slack storage available in increments of 100'

RAPID FFB I/O CABLE ROUTING SCHEME



Flexible Fiber Box (FFB) Series

Indoor/Outdoor Rapid and Fixed Demarc and Aggregation Boxes

Preconfigured Rapid FFB

Preconfigured Rapid FFB units are available to ship from the factory with preinstalled RapidReel fiber cable spools, sliding adapter packs, splice trays, and/or preterminated cable assemblies, and help to simplify the ordering process and reduce installation time and cost.

ORDERING INFORMATION

Product Description	Fibers	Connector Type	Part Number
Rapid FFB Sliding Adapter Pack Option	12	LC-MPO	FFB-R012ESKSSDUXXX
		SC-MPO	FFB-R012ES7SSDUXXX
	24	LC-MPO	FFB-R024ESKSSDUXXX
		SC-MPO	FFB-R024ES7SSDUXXX



Rapid FFB – LC or SC Connectors

ORDERING INFORMATION

Product Description	Fibers	Connector Type	Part Number
Rapid FFB Splice Option	12	MPO (far end)	FFB-R012ES22SDUXXX
		Stub (far end)	FFB-R0120S22SDUXXX
	24	MPO (far end)	FFB-R024ES22SDUXXX
		Stub (far end)	FFB-R0240S22SDUXXX



Rapid FFB - Splice Tray

XXX=

- 031** 100 FT Spooled (31 Meters).
- 061** 200 FT Spooled (61 Meters). 24 Fiber requires ext. spool
- 076** 250 FT Spooled (76 Meters). 24 Fiber requires ext. spool
- 092** 300 FT Spooled (92 Meters). w/ext. spool
- 123** 400 FT Spooled (122 Meters). w/ext. spool
- 153** 500 FT Spooled (153 Meters). w/ext. spool
- 183** 600 FT Spooled (183 Meters). w/ext. spool
- 213** 700 FT Spooled (213 Meters). w/ext. spool
- 244** 800 FT Spooled (244 Meters). w/ext. spool
- 274** 900 FT Spooled (274 Meters). w/ext. spool
- 305** 1000 FT Spooled (305 Meters) w/ext. spool



FFB with external fiber spool.

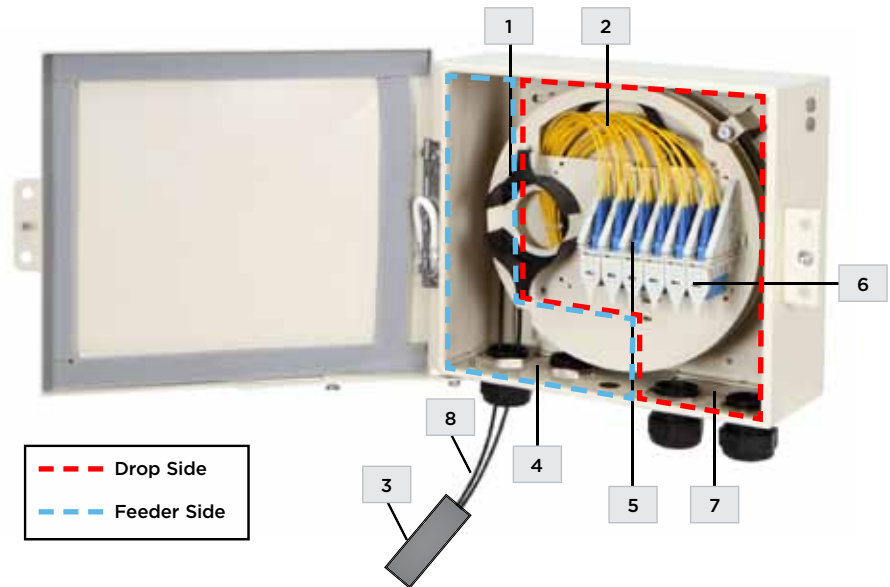
Flexible Fiber Box (FFB) Series

Indoor/Outdoor Rapid and Fixed Demarc and Aggregation Boxes

Rapid FFB

Use the product configurator below to customize your Rapid FFB unit for any desired application.

ORDERING INFORMATION



Catalog Number

FFB-R _____

1 Spool

R	Yes
---	-----

2 Fiber Count When Loaded

000	None
012	12 Fibers
024	24 Fibers

3 Feeder Side Connector Type

O	None/Stub
Singlemode	
E	MPO

4 Feeder Side Input/Output Plate

Singlemode	
S	1 1/2" Strain Relief Grommet

5 Drop Side Connector Type

O	None/Stub
Singlemode	
2	Splice Tray (Heat Shrink)
K	LC/UPC
7	SC/UPC
J	SC/APC

9 Cable Length (Meters) (Fiber Count)*

000	None
031	100 Ft. Spooled / 31 M (12,24)
061	200 Ft. Spooled / 61 M (12)
077	250 Ft. Spooled / 77 M (12)

8 Cable Type

OO	None
Singlemode	
DU	Indoor/Outdoor 3.6mm

7 Feeder Side Input/Output Plate

S	1 1/2" Strain Relief Grommet
---	------------------------------

6 Drop Side Plate Type

O	None
2	Splice Tray (Heat Shrink)
S	Sliding Adapter Type
L	Fixed Adapter Type

*Internal spool holds up to 250' of 12-fiber cable, or up to 100' of 24-fiber cable. Additional slack storage available in increments of 100' on an external spool.

Flexible Fiber Box (FFB) Series

Indoor/Outdoor Rapid and Fixed Demarc and Aggregation Boxes

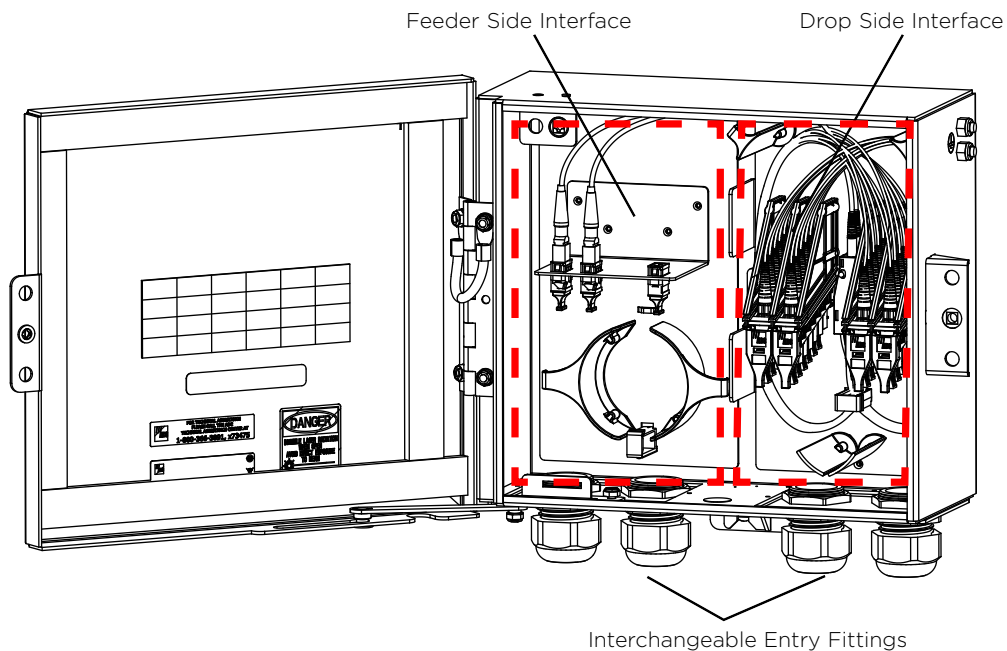
Fixed FFB

The Fixed FFB utilizes interchangeable plates for the feeder (left) and drop (right) side of the enclosure, allowing service providers to mix-and-match the unit with different connector types. For co-location scenarios, a locking plate is available to protect the feeder or drop side of the box from unauthorized tampering.

FEATURES:

- 12- or 24-fiber option
- Interchangeable plates for feeder and drop side connections
- Interchangeable entry plates for feeder and drop side cable entry points
- Available with LC, SC/UPC or SC/APC drop side connectors
- Available with sliding adapter pack terminations
- Available with fixed adapter type, and fixed adapter type in center terminations
- Available with MPO or HMFOC feeder side connectors
- Available with internal demarc door on feeder or drop side
- Available in singlemode or multimode operation

FIXED FFB I/O CABLE ROUTING SCHEME



Flexible Fiber Box (FFB) Series

Indoor/Outdoor Rapid and Fixed Demarc and Aggregation Boxes

Preconfigured Fixed FFB

Preconfigured Fixed FFB units are available to ship from the factory with preinstalled connectors, adapter packs, splice trays, cables and/or preterminated pigtail assemblies, and help to simplify the ordering process and reduce installation time and cost.

ORDERING INFORMATION

Product Description	Fibers	Connector Type	Part Number
Feeder: MPO Drop: Sliding Adapter Type	12	LC	FFB-F012EMSKSSDDUx
		SC	FFB-F012EMS7SSDDUx
	24	LC	FFB-F024EMSKSSDDUx
		SC	FFB-F024EMS7SSDDUx
Feeder: HMFOC Drop: Sliding Adapter Type	12	LC	FFB-F012UMSKSSDDUx
		SC	FFB-F012UMS7SSDDUx
	24	LC	FFB-F024UMSKSSDDUx
		SC	FFB-F024UMS7SSDDUx
Feeder: Splice Drop: VAM (Order VAM modules separately. See page 11)	12	-	FFB-F01222SOVSDDU0
	24	-	FFB-F02422SOVSDDU0
Feeder: External HMFOC Input with Demarc Door (Sliding Adapter Type Shown)	12	LC	FFB-F01200HKSSDDUD
		SC	FFB-F01200H7SSDDUD
	24	LC	FFB-F02400HKSSDDUD
		SC	FFB-F02400H7SSDDUD
Feeder: Splice Drop: Sliding Adapter Type	12	LC	FFB-F01222SKSSDDUx
		SC	FFB-F01222S7SSDDUx
	24	LC	FFB-F02422SKSSDDUx
		SC	FFB-F02422S7SSDDUx
Feeder/Drop: Fixed Adapter Type in Center	12	LC	FFB-F012KCSK0SDDUx
		SC	FFB-F0127CS70SDDUx
	24	LC	FFB-F024KCSK0SDDUx
		SC	FFB-F0247CS70SDDUx
Feeder: MPO Drop: Fixed Adapter Type Plate	12	LC	FFB-F012EMSKFSDDUx
		SC	FFB-F012EMS7FSDDUx
	24	LC	FFB-F024EMSKFSDDUx
		SC	FFB-F024EMS7FSDDUx



Replace x with "D" to include internal demarc door, or "0" to exclude door.

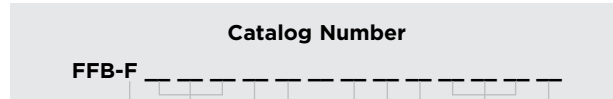
Flexible Fiber Box (FFB) Series

Indoor/Outdoor Rapid and Fixed Demarc and Aggregation Boxes

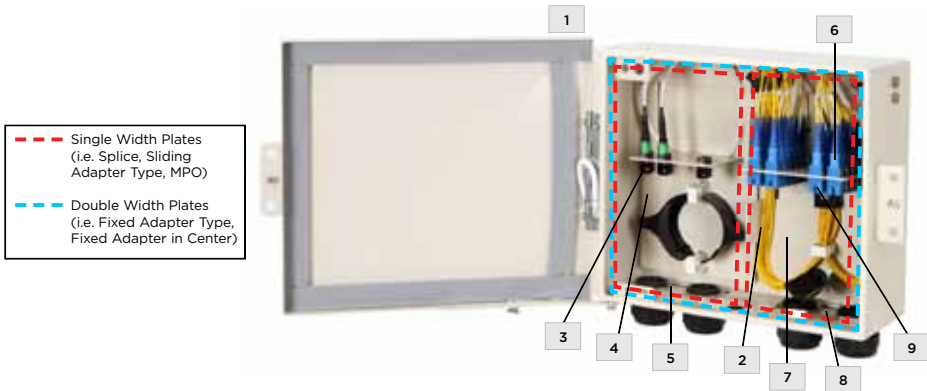
Fixed FFB

Use the product configurator below to tailor your Fixed FFB unit for any desired application.

ORDERING INFORMATION



<p>1 Spool</p> <table border="1"> <tr><td>F</td><td>No</td></tr> </table> <p>2 Fiber Count When Loaded</p> <table border="1"> <tr><td>000</td><td>None</td></tr> <tr><td>012</td><td>12 Fibers</td></tr> <tr><td>024</td><td>24 Fibers</td></tr> </table> <p>3 Feeder Side Connector Type</p> <table border="1"> <tr><td>0</td><td>None</td></tr> <tr><td>2</td><td>Splice Tray (Heat Shrink)</td></tr> <tr><td colspan="2">Singlemode</td></tr> <tr><td>2</td><td>Splice Tray (Heat Shrink)</td></tr> <tr><td>K</td><td>LC/UPC</td></tr> <tr><td>7</td><td>SC/UPC</td></tr> <tr><td>J</td><td>SC/APC</td></tr> <tr><td>E</td><td>MPO (Fixed Only)</td></tr> <tr><td>U</td><td>HMFOC Internal (Fixed Only)</td></tr> <tr><td colspan="2">Multimode</td></tr> <tr><td>C</td><td>LC OM3 (Aqua)</td></tr> <tr><td>T</td><td>SC OM3 (Aqua)</td></tr> <tr><td>M</td><td>MPO OM3</td></tr> </table> <p>4 Feeder Side Plate Type</p> <table border="1"> <tr><td>0</td><td>None</td></tr> <tr><td colspan="2">Single Wide</td></tr> <tr><td>2</td><td>Splice Tray (Heat Shrink)</td></tr> <tr><td>S</td><td>Sliding Adapter Type</td></tr> <tr><td>F</td><td>Fixed Adapter Type</td></tr> <tr><td>M</td><td>MPO or HMFOC</td></tr> <tr><td>V</td><td>VAM</td></tr> <tr><td colspan="2">Double Wide</td></tr> <tr><td>C</td><td>Fixed Adapter Type in Center</td></tr> </table> <p>5 Feeder Side Input/Output Plate</p> <table border="1"> <tr><td>S</td><td>1 1/2" Strain Relief Grommet</td></tr> <tr><td>H</td><td>HMFOC External (Fixed Only)</td></tr> </table>	F	No	000	None	012	12 Fibers	024	24 Fibers	0	None	2	Splice Tray (Heat Shrink)	Singlemode		2	Splice Tray (Heat Shrink)	K	LC/UPC	7	SC/UPC	J	SC/APC	E	MPO (Fixed Only)	U	HMFOC Internal (Fixed Only)	Multimode		C	LC OM3 (Aqua)	T	SC OM3 (Aqua)	M	MPO OM3	0	None	Single Wide		2	Splice Tray (Heat Shrink)	S	Sliding Adapter Type	F	Fixed Adapter Type	M	MPO or HMFOC	V	VAM	Double Wide		C	Fixed Adapter Type in Center	S	1 1/2" Strain Relief Grommet	H	HMFOC External (Fixed Only)	<p>6 Drop Side Connector Type</p> <table border="1"> <tr><td>0</td><td>None</td></tr> <tr><td colspan="2">Singlemode</td></tr> <tr><td>2</td><td>Splice Tray (Heat Shrink)</td></tr> <tr><td>K</td><td>LC/UPC</td></tr> <tr><td>7</td><td>SC/UPC</td></tr> <tr><td>J</td><td>SC/APC</td></tr> <tr><td>E</td><td>MPO (Fixed Only)</td></tr> <tr><td>U</td><td>HMFOC Internal (Fixed Only)</td></tr> <tr><td colspan="2">Multimode</td></tr> <tr><td>2</td><td>Splice Tray (Heat Shrink)</td></tr> <tr><td>C</td><td>LC OM3 (Aqua)</td></tr> <tr><td>T</td><td>SC OM3 (Aqua)</td></tr> <tr><td>M</td><td>MPO OM3</td></tr> </table> <p>7 Drop Side Plate Type</p> <table border="1"> <tr><td>0</td><td>None</td></tr> <tr><td colspan="2">Single Wide</td></tr> <tr><td>2</td><td>Splice Tray (Heat Shrink)</td></tr> <tr><td>S</td><td>Sliding Adapter Type</td></tr> <tr><td>F</td><td>Fixed Adapter Type</td></tr> <tr><td>M</td><td>MPO or HMFOC</td></tr> <tr><td>V</td><td>VAM</td></tr> <tr><td colspan="2">Double Wide</td></tr> <tr><td>0</td><td>Fixed</td></tr> </table> <p>8 Drop Side Input/Output Plate</p> <table border="1"> <tr><td>S</td><td>1 1/2" Strain Relief Grommet</td></tr> <tr><td>H</td><td>HMFOC External (Fixed Only)</td></tr> </table> <p>9 Fiber Type</p> <table border="1"> <tr><td>000</td><td>None</td></tr> <tr><td>A00</td><td>Adapters Only</td></tr> <tr><td colspan="2">Singlemode</td></tr> <tr><td>DDU</td><td>3.6mm I/O Stranded Fiber</td></tr> <tr><td colspan="2">Multimode</td></tr> <tr><td>CDU</td><td>3.6mm I/O Stranded Fiber (50/125) (Aqua)</td></tr> </table> <p>10 Accessories</p> <table border="1"> <tr><td>0</td><td>None</td></tr> <tr><td>D</td><td>Internal Demarc Door</td></tr> </table>	0	None	Singlemode		2	Splice Tray (Heat Shrink)	K	LC/UPC	7	SC/UPC	J	SC/APC	E	MPO (Fixed Only)	U	HMFOC Internal (Fixed Only)	Multimode		2	Splice Tray (Heat Shrink)	C	LC OM3 (Aqua)	T	SC OM3 (Aqua)	M	MPO OM3	0	None	Single Wide		2	Splice Tray (Heat Shrink)	S	Sliding Adapter Type	F	Fixed Adapter Type	M	MPO or HMFOC	V	VAM	Double Wide		0	Fixed	S	1 1/2" Strain Relief Grommet	H	HMFOC External (Fixed Only)	000	None	A00	Adapters Only	Singlemode		DDU	3.6mm I/O Stranded Fiber	Multimode		CDU	3.6mm I/O Stranded Fiber (50/125) (Aqua)	0	None	D	Internal Demarc Door
F	No																																																																																																																								
000	None																																																																																																																								
012	12 Fibers																																																																																																																								
024	24 Fibers																																																																																																																								
0	None																																																																																																																								
2	Splice Tray (Heat Shrink)																																																																																																																								
Singlemode																																																																																																																									
2	Splice Tray (Heat Shrink)																																																																																																																								
K	LC/UPC																																																																																																																								
7	SC/UPC																																																																																																																								
J	SC/APC																																																																																																																								
E	MPO (Fixed Only)																																																																																																																								
U	HMFOC Internal (Fixed Only)																																																																																																																								
Multimode																																																																																																																									
C	LC OM3 (Aqua)																																																																																																																								
T	SC OM3 (Aqua)																																																																																																																								
M	MPO OM3																																																																																																																								
0	None																																																																																																																								
Single Wide																																																																																																																									
2	Splice Tray (Heat Shrink)																																																																																																																								
S	Sliding Adapter Type																																																																																																																								
F	Fixed Adapter Type																																																																																																																								
M	MPO or HMFOC																																																																																																																								
V	VAM																																																																																																																								
Double Wide																																																																																																																									
C	Fixed Adapter Type in Center																																																																																																																								
S	1 1/2" Strain Relief Grommet																																																																																																																								
H	HMFOC External (Fixed Only)																																																																																																																								
0	None																																																																																																																								
Singlemode																																																																																																																									
2	Splice Tray (Heat Shrink)																																																																																																																								
K	LC/UPC																																																																																																																								
7	SC/UPC																																																																																																																								
J	SC/APC																																																																																																																								
E	MPO (Fixed Only)																																																																																																																								
U	HMFOC Internal (Fixed Only)																																																																																																																								
Multimode																																																																																																																									
2	Splice Tray (Heat Shrink)																																																																																																																								
C	LC OM3 (Aqua)																																																																																																																								
T	SC OM3 (Aqua)																																																																																																																								
M	MPO OM3																																																																																																																								
0	None																																																																																																																								
Single Wide																																																																																																																									
2	Splice Tray (Heat Shrink)																																																																																																																								
S	Sliding Adapter Type																																																																																																																								
F	Fixed Adapter Type																																																																																																																								
M	MPO or HMFOC																																																																																																																								
V	VAM																																																																																																																								
Double Wide																																																																																																																									
0	Fixed																																																																																																																								
S	1 1/2" Strain Relief Grommet																																																																																																																								
H	HMFOC External (Fixed Only)																																																																																																																								
000	None																																																																																																																								
A00	Adapters Only																																																																																																																								
Singlemode																																																																																																																									
DDU	3.6mm I/O Stranded Fiber																																																																																																																								
Multimode																																																																																																																									
CDU	3.6mm I/O Stranded Fiber (50/125) (Aqua)																																																																																																																								
0	None																																																																																																																								
D	Internal Demarc Door																																																																																																																								





Flexible Fiber Box (FFB) Series

Indoor/Outdoor Rapid and Fixed Demarc and Aggregation Boxes

FFB Plates

FFB plates are available to ship from the factory with preinstalled connectors, adapter packs, splice trays, cables and/or preterminated pigtail assemblies, and help to simplify the ordering process and reduce installation time and cost.

ORDERING INFORMATION




Product Description	Fibers	Connector Type	Part Number	
RapidReel Splice Option	12	LC	FFB-RD012KMD2XXX	
		SC	FFB-RD0127MD2XXX	
	24	LC	FFB-RD024KMD2XXX	
		SC	FFB-RD0247MD2XXX	
RapidReel Connector Option	12	LC	FFB-RD012KMDSXXX	
		SC	FFB-RD0127MDSXXX	
	24	LC	FFB-RD024KMDSXXX	
		SC	FFB-RD0247MDSXXX	

XXX=

031 100 FT Spooled (31 Meters).
061 200 FT Spooled (61 Meters). 24 Fiber requires ext. spool
076 250 FT Spooled (76 Meters). 24 Fiber requires ext. spool
092 300 FT Spooled (92 Meters). w/ext. spool
123 400 FT Spooled (122 Meters). w/ext. spool
153 500 FT Spooled (153 Meters). w/ext. spool

XXX=

183 600 FT Spooled (183 Meters). w/ext. spool
213 700 FT Spooled (213 Meters). w/ext. spool
244 800 FT Spooled (244 Meters). w/ext. spool
274 900 FT Spooled (274 Meters). w/ext. spool
305 1000 FT Spooled (305 Meters). w/ext. spool

Product Description	Cable Type	Fibers	Connector Type	Part Number	
Fixed Adapter Type in Center Plate	Singlemode	24	LC	FFB-FD024K0AC000	
		12	SC	FFB-FD01270AC000	
	Multimode	24	LC	FFB-FD024K0AC000	
		12	SC	FFB-FD01270AC000	
Sliding Adapter Type Plate	Singlemode	24	LC	FFB-FD024KMDS000	
		12	SC	FFB-FD0127MDS000	
	Multimode	24	LC	FFB-FD024CMFS000	
		12	SC	FFB-FD012TMFS000	
Fixed Horizontal Adapter Type Plate	Singlemode	24	LC	FFB-FD024KMDF000	
		12	SC	FFB-FD0127MDF000	
	Multimode	24	LC	FFB-FD024CMF000	
		12	SC	FFB-FD012TMF000	

Flexible Fiber Box (FFB) Series

Indoor/Outdoor Rapid and Fixed Demarc and Aggregation Boxes

FFB Plates (Continued)

FFB plates are available to ship from the factory with preinstalled connectors, adapter packs, splice trays, cables and/or preterminated pigtail assemblies, and help to simplify the ordering process and reduce installation time and cost.

ORDERING INFORMATION

Product Description	Part Number
Internal Door for Fixed Adapter Bulkhead	FFB-FD000000K000



Internal Door-Standard	FFB-FD000000J000
------------------------	------------------



MPO Bulkhead Mounting Plate	FFB-FD000000M000
-----------------------------	------------------



Strain Relief Plate (For use with VAM plate)	FFB-FD000000W000
---	------------------



Product Description	Part Number
VAM Module Mounting Plate	FFB-FD000000V000



*Order VAM modules separately. See page 12.

HMFOC Bulkhead Mounting Plate	FFB-FD000000U000
-------------------------------	------------------



Splice Tray (Heat Shrink) Plate	FFB-FD0000002000
---------------------------------	------------------

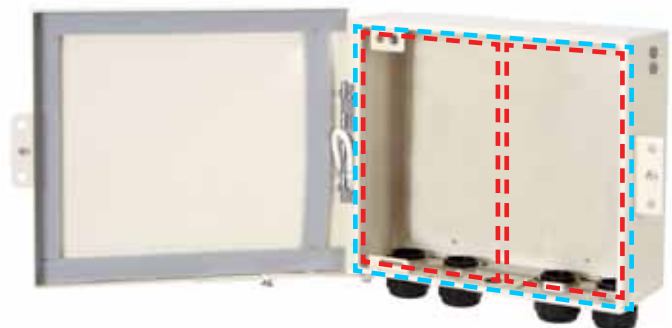


Empty FFB

The FFB can be purchased empty without any connectors, cables or accessories. In this form, the user can mix-and-match any combination of FFB plates or accessories as needed to meet their network requirements.

ORDERING INFORMATION

Product Description	Catalog Number
Empty box for Fixed FFB configurations. No fiber. Includes grommets.	FFB-F0000S00S00000
Empty box for Rapid FFB configurations. No fiber. Includes grommets.	FFB-R0000S00S00000



- - - Single Width Plates (i.e. Splice, Sliding Adapter Type, MPO)
- - - Double Width Plates (i.e. Fixed Type, Fixed Adapter in Center)

(Empty box for Fixed FFB shown)

Flexible Fiber Box (FFB) Series

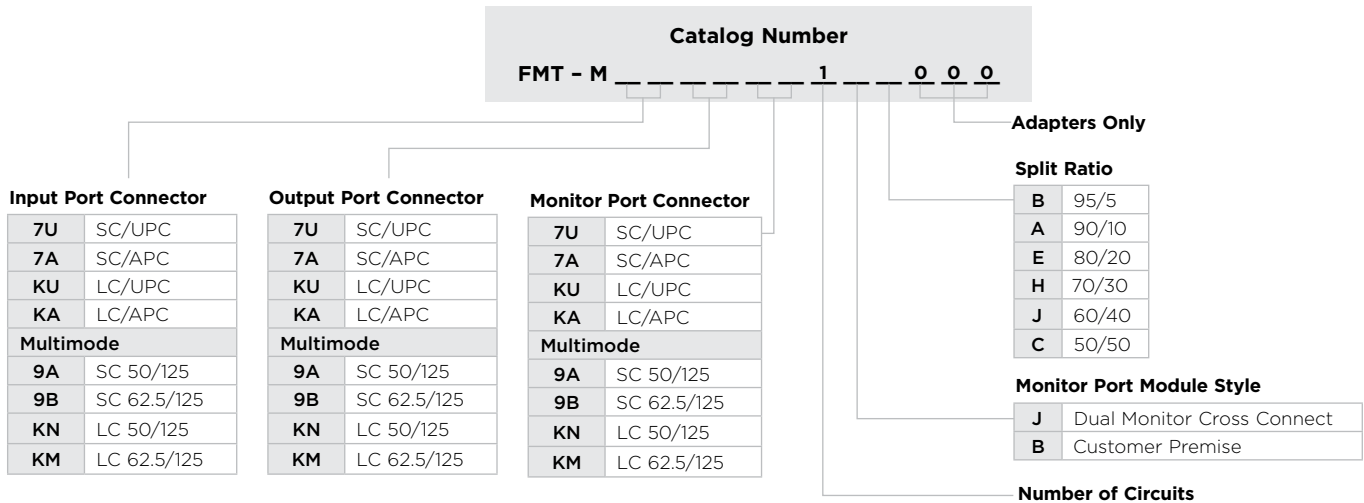
Indoor/Outdoor Rapid and Fixed Demarc and Aggregation Boxes

FFB MicroVAM Modules

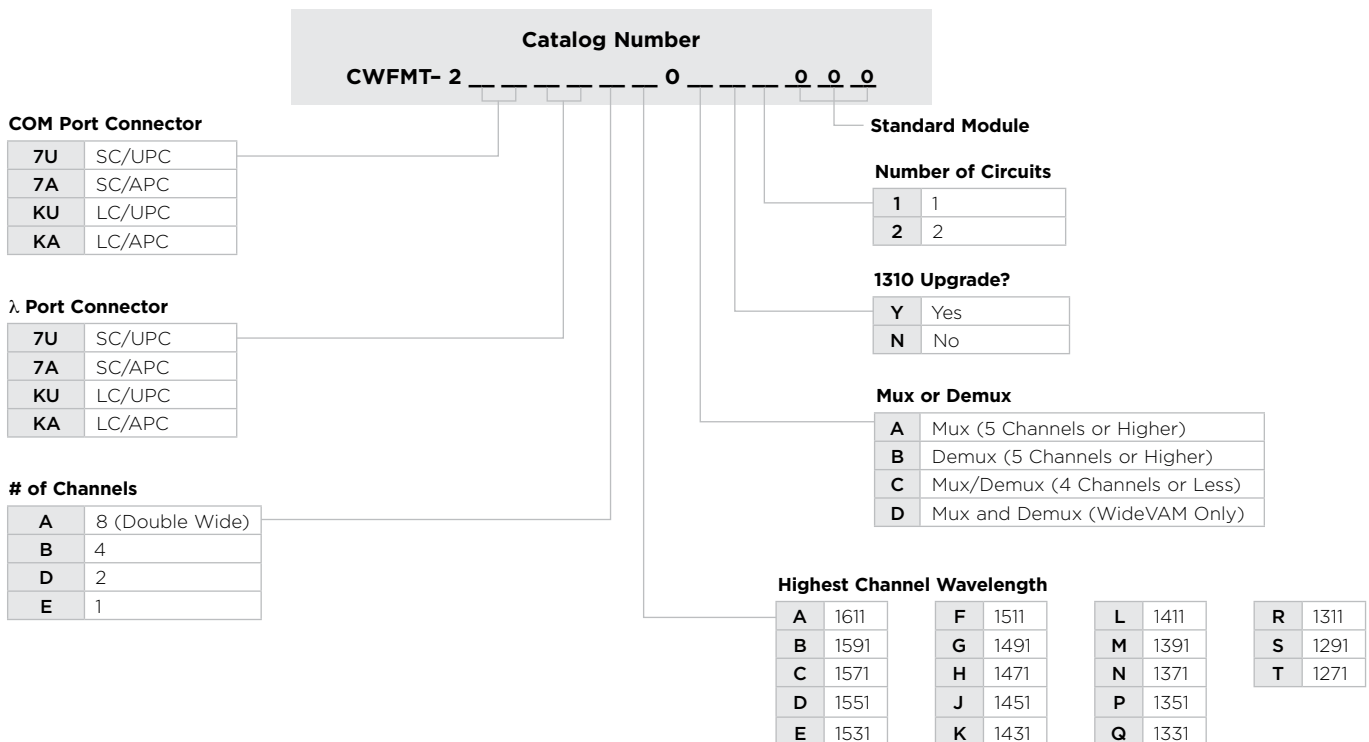
MicroVAM modules can be easily added to Fixed FFB units to add flexibility and functionality to the network. For troubleshooting network or monitoring traffic, a variety of MicroVAM monitor modules are available. To increase bandwidth and fiber capacity, TE's offers several MicroVAM CCWDM modules.



MONITOR MODULES - ORDERING INFORMATION



CWDM MUX OR DEMUX MODULE - ORDERING INFORMATION



Flexible Fiber Box (FFB) Series

Indoor/Outdoor Rapid and Fixed Demarc and Aggregation Boxes

Accessories - 1 1/2" Grommet Kit

ORDERING INFORMATION

Product Description	Catalog Number
Replacement kit for bottom drop/feeder plate and grommet assembly. Kit Includes: 2 foam grommets 2 o-rings 2 spacers (large almond colored washers) 2 locking nuts 2 cable entry ports/fittings 1 port plate 1 port plate gasket 8 stainless steel screws (4-40)	FFB-BTM-PLT-KIT



Accessories - Fiber Connector/Adapter Cleaning Kit

The fiber connector/adapter cleaning kit contains all the items required to adequately clean fiber connectors and adapters. The performance of an optical fiber system is largely dependent on the fiber connector cleaning procedures followed prior to installation. It is suggested that all the connectors and adapters be cleaned before making any connections. The kit cleans approximately 500 connectors or adapters.



ORDERING INFORMATION

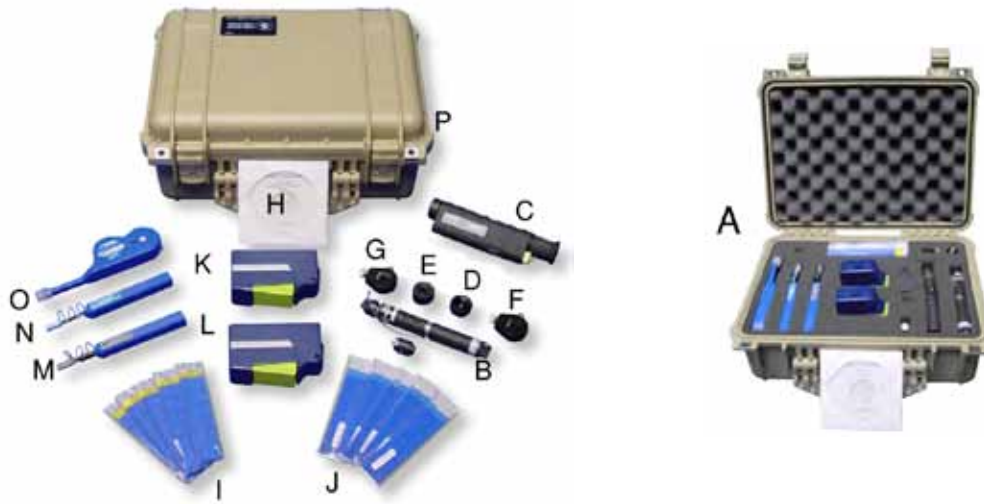
Product Description	Catalog Number
Fiber connector/adapter cleaning kit (wet cleaning method) Includes: • Instruction sheet • Lint-free wipes • Isopropyl alcohol • Cotton swabs • Lint-free pipe cleaners • Oil-free compressed air	FPC-CLNKIT
Includes FPC-CLNKIT plus the dry wipe cleaning cassette and refill	FPC-CLNKIT1
Dry wipe cleaning cassette and refill	FPC-CLNKIT2

This kit contains flammable alcohol and compressed air. For this reason, it can be shipped by surface method only

Flexible Fiber Box (FFB) Series

Indoor/Outdoor Rapid and Fixed Demarc and Aggregation Boxes

Accessories – Fiber Inspection Kit



ORDERING INFORMATION

Product Description	Image	Quantity	Catalog Number
Optical Fiber Inspection and Cleaning Kit for Standard Connector Styles (LC, SC, ST, FC), MT-RJ, and MPO. Kit includes everything needed to perform routine fiber maintenance and troubleshooting - including cleaning tools, an inspection microscope, a visual fault locator, and a CD-ROM with detailed inspection, cleaning instructions and a rugged carrying case. Kit components:	A	1	2064651-1
Visual Fault Locator (VFL) with 1.25 MM Adapter	B	1	1828352-2
200x Microscope with 2.5 mm Adapter	C	1	1754767-1
1.25 mm (LC) Microscope Adapter	D	1	1754765-1
MT-RJ Microscope Adapter	E	1	1754768-1
MPOA Microscope Adapter	F	1	1828837-1
MPO Microscope Adapter	G	1	1828836-1
Termination Training, CD-ROM	H	1	2064710-1
2.5 mm Stick Cleaners (10/package)	I	5	1918807-1
1.25 mm Stick Cleaners (10/package)	J	5	1918808-1
One Slot Reel Cleaner	K	1	1918803-1
MT-RJ w/pins Reel Cleaner	L	1	1918804-1
SC in Bulkhead Cleaner (IBC)	M	1	2064499-1
LC IBC	N	1	2064500-1
MPO IBC	O	1	1918809-1
Premium Hard Case	P	1	TBD

Flexible Fiber Box (FFB) Series

Indoor/Outdoor Rapid and Fixed Demarc and Aggregation Boxes

Accessories – Protective Tubing Cutting Tool

The protective tubing cutting tool is used to score the protective tubing so the tubing can be cut to the appropriate lengths for the final installation.

ORDERING INFORMATION

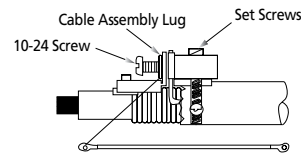
Product Description	Catalog Number
Protective tubing cutting tool	BLK-BKOTUB

Accessories – Grounding Kit

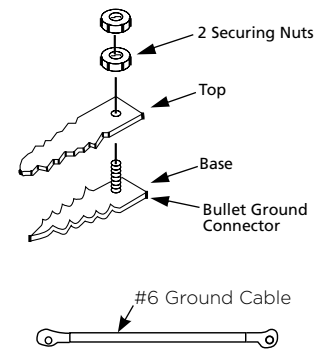
Kit used to ground armored fiber cable.

ORDERING INFORMATION

Product Description	Catalog Number
Grounding kit for; Armored OSP cable Includes: One cable assembly lug type ground kit One #6 ground cable 229 mm (9") long	GAK-FEC001
Any armored loose tube or buffer tubed fiber OSP cable Includes: One bullet ground connector One #6 ground cable 127 mm (5") long	GND-STPKIT
Frame mount configuration Any armored loose tube or buffer tubed OSP cable Includes: One bullet ground connector One #6 ground cable 305 mm (12") long	FEC-ACCGND02



Grounding Kit
(GAK-FEC001 Shown)



Grounding Kit
(GND-STPKIT Shown)

Grounding/Moisture Blocking Kits

Kit used to properly block gel filled stranded and ribbon cables.

ORDERING INFORMATION

Product Description	Catalog Number
Grounding/Moisture blocking kit; Includes components for grounding and blocking gel filled fiber cables: blocking gel, heat shrink and grounding accessories	FBK-OSP002
Moisture blocking kit; Includes components for blocking gel filled fiber cables: syringe, blocking gel	BLK-MSTRKIT

Flexible Fiber Box (FFB) Series

Indoor/Outdoor Rapid and Fixed Demarc and Aggregation Boxes

Accessories – Splice Protector Sleeve

The splice protector sleeve is constructed to protect a splice post fusion. It is made from heat shrinkable material and contains a built-in strength member for physical protection of the fusion splice. The splice protector sleeve is placed on the fiber before making a splice, moved over the splice when the splice fusion is complete and shrunk into place. They are available in either single fiber or mass fusion sleeves.



Splice Protector Sleeve
(FST-ACC001 Shown)

ORDERING INFORMATION

Product Description	Catalog Number
Splice protector sleeve for	
Single fiber – single fusion; 60 mm (2.4”) length, 1 each	FST-ACC001
Single fiber – single fusion; 40 mm (1.6”) length, 1 each	FST-ACC005
12-fiber – mass fusion – heat shrink; 40 mm (1.6”) length, 1 each	FST-ACC006

Accessories – 216 Tools – Can Wrench Keys

ORDERING INFORMATION

Product Description	Catalog Number
Nickel plated brass can wrench key For use in loosening/tightening security screws	OSP-216BKEY1
Aluminum can wrench key For use in loosening/tightening security screws	OSP-216BKEY2
Plastic can wrench key For use in loosening/tightening security screws	OSP-216BKEY3

DATA SHEET

Contact us:

P.O. Box 1101
Minneapolis, Minnesota
USA 55440-1101
Tel: 1-800-366-3891
Tel: 1-952-938-8080
Fax: 1-952-917-3237

www.te.com/adc
www.us.telecomosp.com



TE Connectivity, TE connectivity (logo), Tyco Electronics, TE (logo), ADC, MicroVAM, Rapid and RapidReel are trademarks of the TE Connectivity Ltd. family of companies and its licensors.

While TE Connectivity has made every reasonable effort to ensure the accuracy of the information in this document, TE Connectivity does not guarantee that it is error-free, nor does TE Connectivity make any other representation, warranty or guarantee that the information is accurate, correct, reliable or current. TE Connectivity reserves the right to make any adjustments to the information contained herein at any time without notice. TE Connectivity expressly disclaims all implied warranties regarding the information contained herein, including, but not limited to, any implied warranties of merchantability or fitness for a particular purpose. The dimensions in this document are for reference purposes only and are subject to change without notice. Specifications are subject to change without notice. Consult TE Connectivity for the latest dimensions and design specifications.

Tyco Electronics Corporation, a TE Connectivity Ltd. Company. All Rights Reserved.

310468AE 1/12 Revision © 2012, 2011